

# DHI-ARA43-W2

## Alarm Repeater



- Connects up to 32 peripherals.
- Two-way RF communication.
- LED indicator displays device status.
- Supports manual and auto pairing, extending RF distance for your security system.
- Auto switches from dual antennas to reduce blind areas.
- Cloud update and auto recovery of update failure.
- Battery backs device working for over 35 hours when external power supply fails.

### System Overview

Alarm repeater is a wireless repeater device that extends the communication range between the alarm hub and other accessories, and forwards messages received from the accessory to the hub. It provides a secondary communication path for accessories, improving the overall stability and reliability of communication of the wireless security system. You can use the DMSS app to manually select a path for accessories or allow the system to automatically select one for them.

### Scene

It is suitable for security use in scenes, such as villas with multiple floors, garages that are far away from residential areas, or office buildings and shops with partitions.

### Technical Specification

#### Input/Output

Wireless Zone	32 × wireless peripherals
---------------	---------------------------

#### Port

Storage Battery	Built-in lithium battery
Indicator Light	1 that indicates pairing and working
Power Switch	1 × power switch

#### Function

Pairing Mode	Auto/Manual
Tamper Alarm	Yes
Remote Update	Cloud update
Power Failure Protection for Configured Parameters	Yes
Disconnection Detection of External Power Supply	Yes

Low Battery Alarm	Yes
Search	Signal strength detection

#### Wireless

Carrier Frequency	433.1 MHz–434.6 MHz
Transmitter Power (EIRP)	Limit 10 mW
Communication Distance	Up to 1000 m (3280.84 ft) in an open space
Communication Mechanism	Two-way
Encryption Mode	AES128
Frequency Hopping	Yes

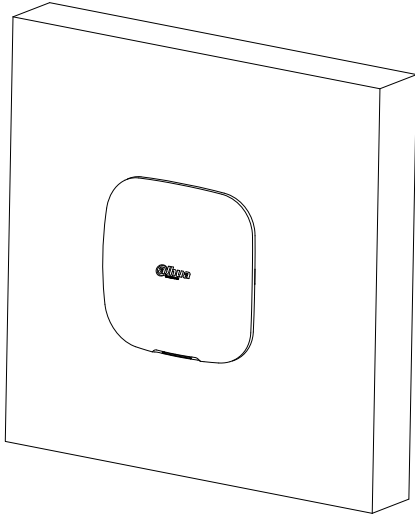
#### General

Power Supply	12 VDC, 1.5 A
Battery Life	Battery standby time: 35 h
Operating environment	−10 °C to +55 °C (+14 °F to +131 °F) (indoor)
Operating Humidity	10%–90% (RH)
Product Dimensions	163.0 mm × 163.0 mm × 32.0 mm (6.42" × 6.42" × 1.26")
Packaging Dimensions	219.0 mm × 187.0 mm × 91.0 mm (8.62" × 7.36" × 3.58")
Installation	Wall mount; Desktop
Net Weight	0.32 kg (0.71 lb)
Gross Weight	0.74 kg (1.63 lb)
Certifications	CE
Casing	PC+ABS

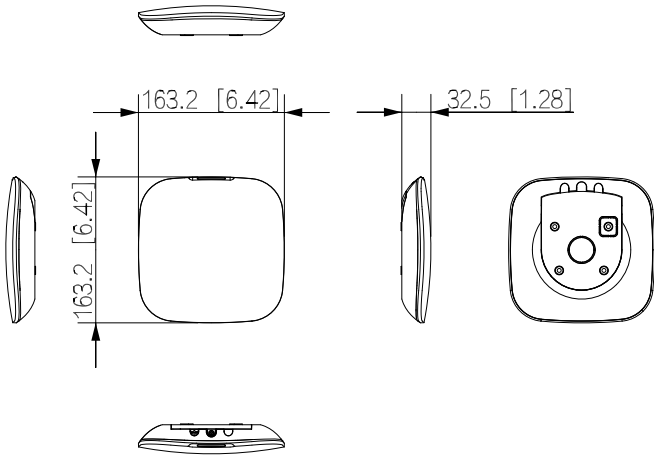
### Ordering Information

Type	Model	Description
Alarm Accessory	DHI-ARA43-W2	Wireless repeater

### Installation



### Dimensions (mm[inch])



### Application

